

# 37528-PS

## 800W Buck (Step Down) 20-70V DC/DC Converter

High power, Non Isolated, Step Down (Buck) adjustable DC/DC Converter for 12/24/36/48V systems  
Adjustable Constant Voltage or Current.  
Temperature controlled fan.

Output ON LED

Remote ON/OFF

Terminal strips In/Out.

Input: 20-70VDC

Input Current: 20A Max - Fused at 20A

No Load Standby: ~70mA

Output: ~3-58VDC

Output Current: 30A Max **Wattage Limited**

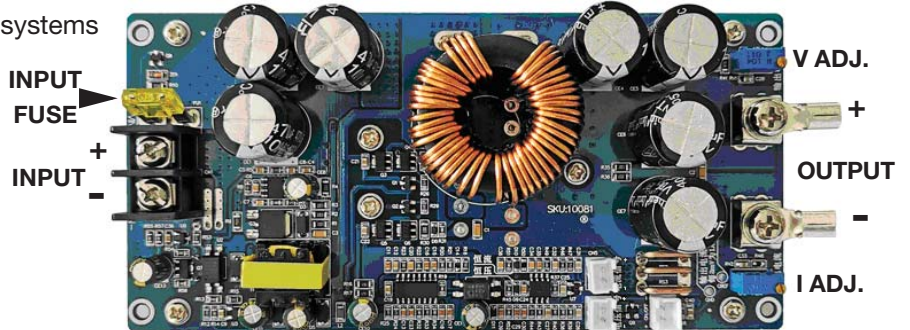
Output Ripple: ~120mV

Rated Current: 20A **800Wmax**

Efficiency: 92~96%

Operating Temperature Range: -20 to +50°C

L: 6" W: 3" H: 2-5/8 WT: 2



### Input/Output Differential

INPUT	OUTPUT MAX
70V	58V
60V	49V
50V	40V
40V	32V
30V	24V
20V	16V

### NOTE:

- 1: DO NOT Reverse the Input for the Output or vice-versa.
- 2: DO NOT Short Circuit Output. See Note Page 2
- 3: The maximum Input Peak Voltage cannot exceed 78V.
- 4: While the Converter Is Not Isolated: The Input - and Output - ARE NOT Common  
(Current Monitoring Shunt Involved) DO NOT INTERCONNECT

### Voltage & Current Adjustments

- 1: The Output Voltage and Current are continuously adjustable.
- 2: Minimum Output Adjustment for Current is 1A
- 3: Minimum Output Adjustment for Voltage is ~ 3V
- 4: Rotate counterclockwise to increase, clockwise to decrease.



Information including Drawings, Schematics, Links and Code (Software) Supplied or Referenced in this Document is supplied by MPJA inc. as a service to our customers and accuracy or usefulness is not guaranteed nor is it an Endorsement of any particular part, supplier or manufacturer. Use of information and suitability for any application is at users own discretion and user assumes all risk.

Information Subject to Change Without Notice  
All rights are retained by the respective Owners/Author(s)



**MARLIN P. JONES & ASSOC., INC.**

P.O. Box 530400 Lake Park, FL 33403

800-652-6733 FAX 561-844-8764

WWW.MPJA.COM

# 37528-PS

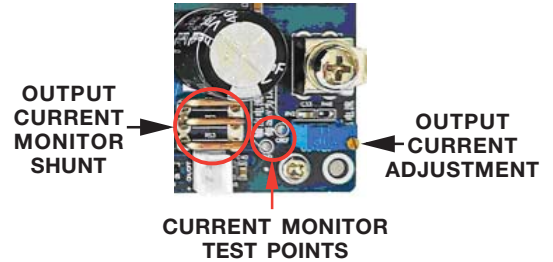
## 800W Buck (Step Down) 20-70V DC/DC Converter

### Output Current Monitor Points:

You can Measure & Adjust the Output Current using the Current Reference Test Points.

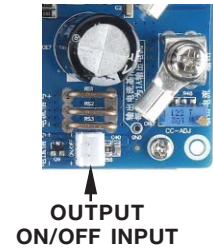
Using the mV range on a multimeter; every 2mV is 1A of output current (20mV = 10A).

**NOTE:** You can short-circuit the Output with an ammeter but at <12V. (to Set Current Limit - (Switch to Constant Current))



### Output ON/OFF Control:

Remote Output ON/OFF Control Connector (JST XH 2.54mm 0.1" Pitch)  
Short Circuit to Turn Off (Open Circuit is ON)



## MODIFICATIONS AS FOUND ON WEBSITES!!

### WE DO NOT RECOMMEND

**ATTENTION: ANY Modification will Void all warranties**

The Following Instructions Require Professional Knowledge, Ability and Tooling.

When the voltage and/or current need to be adjusted by external analog signals.

You need to remove one or two resistors

For remote voltage control: remove R38 (the second resistor behind the voltage signal Header).

For Remote current control: remove R46 (the second resistor behind the current signal Header).

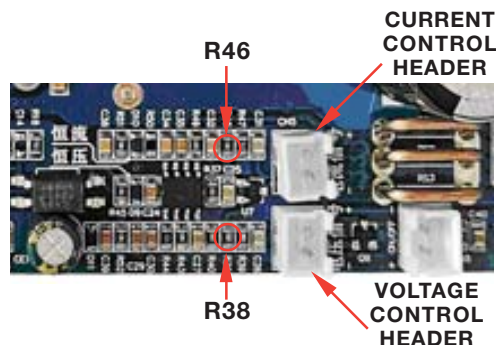
The Voltage and/or Current can be adjusted by using an external 0-5V control signals.

A Separate, **isolated** voltage is required,

Minus(-) cannot be connected to the module Input or Output Minus (-).

The module may be damaged.

Pay attention to the polarity of the Header terminals when connecting.



Document is supplied by MPJA inc. as a service to our customers and accuracy or usefulness is not guaranteed. Use of information and suitability for any application is at users own discretion and user assumes all risk.

Information Subject to Change Without Notice

All rights are retained by the respective Owners/Author(s)